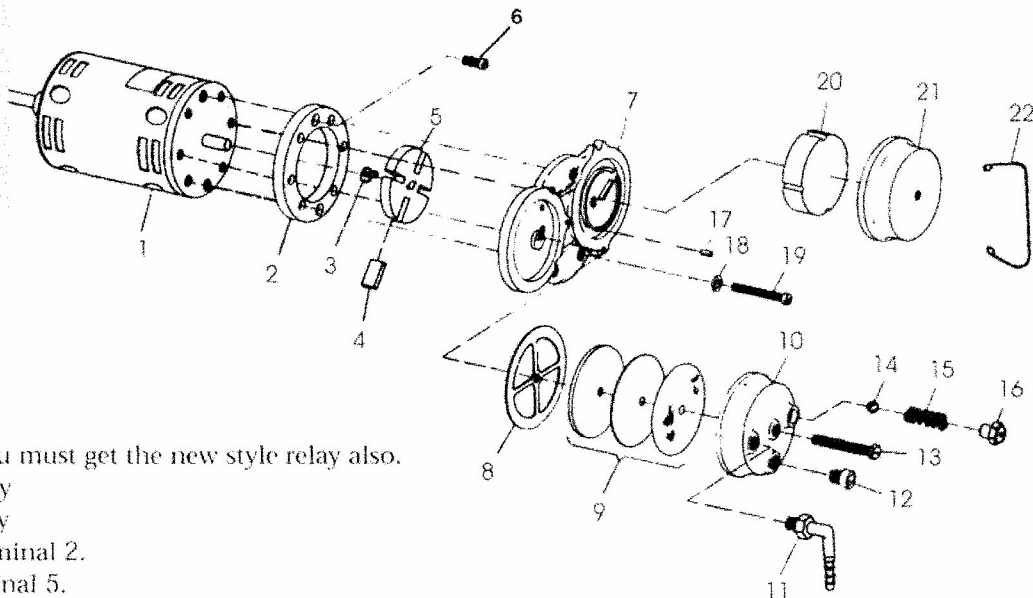


# Replacement parts for Motor/Compressor Assembly (Old Style)

## Possible Brands

Champion, Redline  
Century, Greenline  
Stone, Ford  
Jim Dandy



If you order a new motor, you must get the new style relay also.

154369 motor = 154039 relay

154341 motor = 154052 relay

Black motor wire goes to terminal 2.

Red motor wire goes to terminal 5.

The new relay is position sensitive, make sure top is up.

Key No.	Part No.	Description	BTU SIZES			
			40	60	94-97	150
1	154876	Motor (40)	X			
	154369	Motor (60-97,000)		X	X	
	154341	Motor (150)				X
2	147753	Body Ring 1/2"		X	X	
	147003	Body Ring 5/8"	X			X
3	73-6430	Insert	X	X	X	X
4	154616	Vane 5/8"	X			X
	154598	Vane 1/2"		X	X	
5	147757	Rotor 1/2"		X	X	
	73 6420	Rotor 5/8"	X			X
6	FHPE3-5C	1/2" Screw		X	X	
	FHPE3-6C	5/8" Screw	X			X
7	154601	Cover Plate	X	X	X	X
8	147693	Gasket	X	X	X	X
9	154467	Filter	X	X	X	X
10	147837	Filter Body	X	X	X	X
11	147014	Elbow	X	X	X	X
12	147009	Plug	X	X	X	X
13	147814	Screw	X	X	X	X
14	147022	Ball	X	X	X	X
15	147021	Spring	X	X	X	X
16	147010	Adjusting Screw	X	X	X	X
17	147778	Pin	X	X	X	X
18	70641	Washer	X	X	X	X
19	148394	Screw	X	X	X	X
20	147790	Filter	X	X	X	X
21	147731	Cover	X	X	X	X
22	147779	Retaining Wire	X	X	X	X