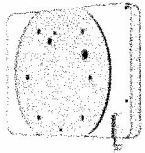
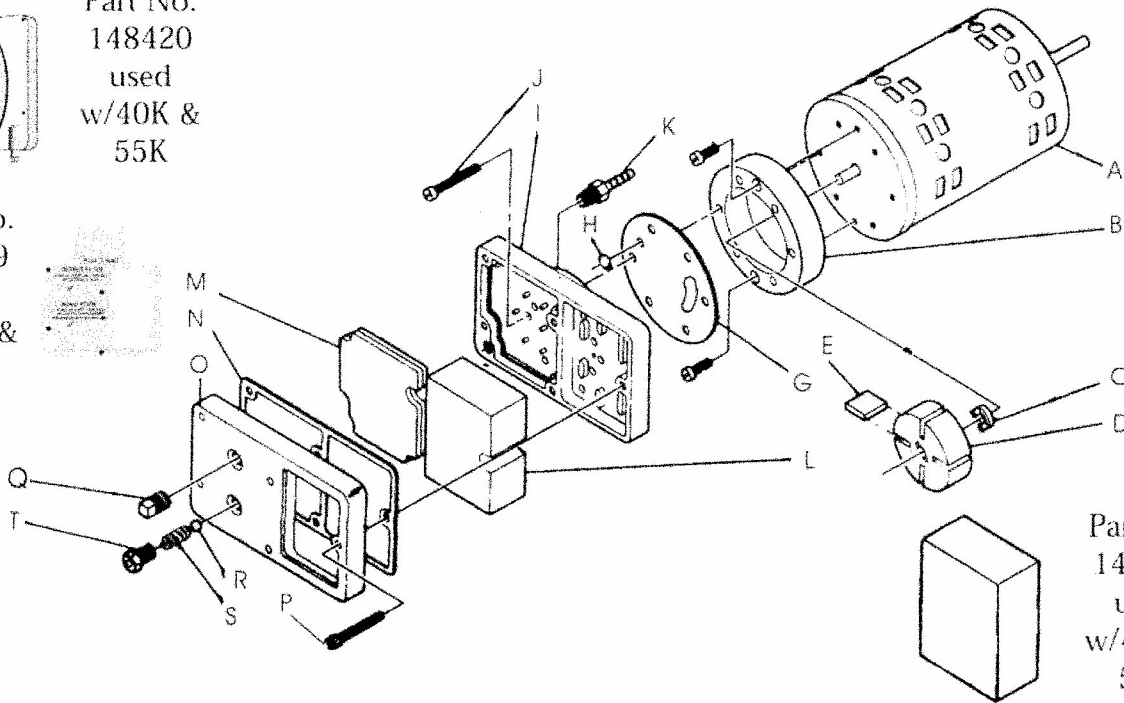


Motor/Compressor Assembly (New Style)



Part No.
148420
used
w/40K &
55K

Part No.
148419
used
w/40K &
55K



Part No.
148442
used
w/40K &
55K

Part No. 154822-Kit
used w/40K & 55K

Key No.	Part No.	Description	BTU SIZES					
			40	55	75	94-97	100	150/220
A	154367	Motor	X	X				
	154369	Motor			X	X	X	
	154341	Motor						X
B	147753	Body Ring 1/2"			X	X		
	147003	Body Ring 5/8"	X	X			X	X
C	73-6430	Insert	X	X	X	X	X	X
D	147757	Rotor 1/2"			X	X		
	73-6420	Rotor 5/8"	X	X			X	X
E	154616	Vane (set of 4) 5/8"	X	X			X	X
	154598	Vane (set of 4) 1/2"			X	X		
G	154797	Backing Plate	X	X	X	X	X	X
H	73-6440	O Ring	X	X	X	X	X	X
I	148234	Filter Housing	X		X	X	X	X
	148420	Filter Housing		X				
J	148394	Screw	X	X	X	X	X	X
K	147052	Adapter	X	X	X	X	X	X
L	147019	Input Filter	X	X	X	X	X	X
M	154003	Output Filter	X		X	X	X	X
	154822	Output Filter		X				
N	147012	Gasket	X	X	X	X	X	X
O	148115	Filter Cover	X	X	X	X	X	X
	148419	Filter Cover	X	X				
P	148233	Screw	X	X	X	X	X	X
Q	147009	Plug	X	X	X	X	X	X
R	147022	Ball	X	X	X	X	X	X
S	147021	Spring	X	X	X	X	X	X
T	147010	Adjusting Screw	X	X	X	X	X	X